

Technical data sheet



Product features

Cooking range gas 2x burner without cabinet

Model	SAP Code	00004088
--------------	-----------------	----------

- Device type: Gas unit
- Power consumption of the zone 1 [kW]: 3,6
- Power consumption of the zone 2 [kW]: 3
- Protection of controls: IPX4
- Material: AISI 304 top plate, AISI 430 cladding

SAP Code	00004088	Power gas [kW]	6.600
Net Width [mm]	328	Type of gas	Natural gas, propane butane
Net Depth [mm]	609	Number of zones	2
Net Height [mm]	290	Power consumption of the zone 1 [kW]	3,6
Net Weight [kg]	10.50	Power consumption of the zone 2 [kW]	3

Technical data sheet

Technical drawing

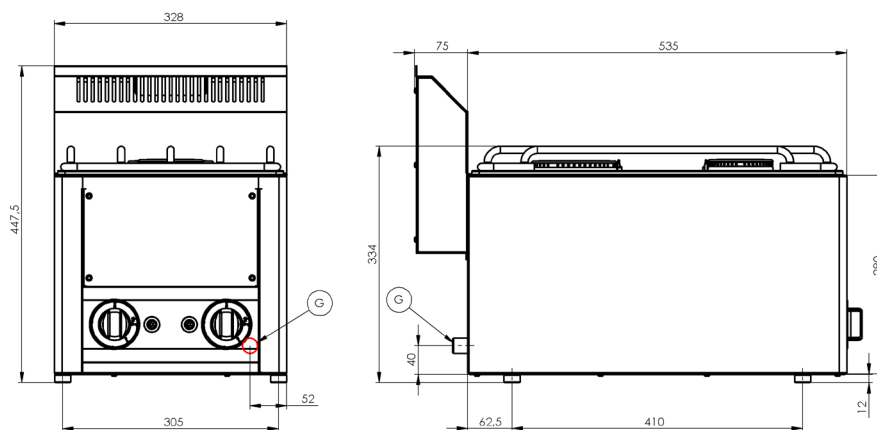


Cooking range gas 2x burner without cabinet

Model

SAP Code

00004088



Technical data sheet



Product benefits

Cooking range gas 2x burner without cabinet

Model

SAP Code

00004088

1

Hygienic moldings of the top plate

absence of sharp corners and edges (potential places where dirt could stick)
smooth transitions

- easy quick cleaning

2

Degree of protection of the control elements IPX4

maintenance-free system
resistance to splash water
long life

- savings on service interventions
- greater job security for staff

3

All stainless steel design

long life
resistance of AISI 304 stainless steel material
the material does not cut

- savings on service interventions
- easy cleaning and maintenance of equipment

4

Safety element – thermocouple

safe service for staff
there is no unnecessary gas leakage
long life

- savings on service interventions
- easier and faster operation

5

Cooking unit for use on a table or on a base

safe service for staff
there is no unnecessary gas leakage
long life

- easy handling
- cost savings on substructure

Technical data sheet



Technical parameters

Cooking range gas 2x burner without cabinet

Model	SAP Code	00004088
--------------	-----------------	----------

1. SAP Code:

00004088

2. Net Width [mm]:

328

3. Net Depth [mm]:

609

4. Net Height [mm]:

290

5. Net Weight [kg]:

10.50

6. Gross Width [mm]:

650

7. Gross depth [mm]:

366

8. Gross Height [mm]:

440

9. Gross Weight [kg]:

12.50

10. Device type:

Gas unit

11. Construction type of device:

Table top

12. Power gas [kW]:

6.600

13. Type of gas:

Natural gas, propane butane

14. Protection of controls:

IPX4

15. Material:

AISI 304 top plate, AISI 430 cladding

16. Worktop material:

AISI 304

17. Worktop Thickness [mm]:

0.80

18. Number of zones:

2

19. Power consumption of the zone 1 [kW]:

3,6

20. Power consumption of the zone 2 [kW]:

3

21. Number of power control stages:

6

22. Adjustable feet:

Yes

23. Number of burners/hot plates:

2

24. Type of gas cooking zones:

Powerfull